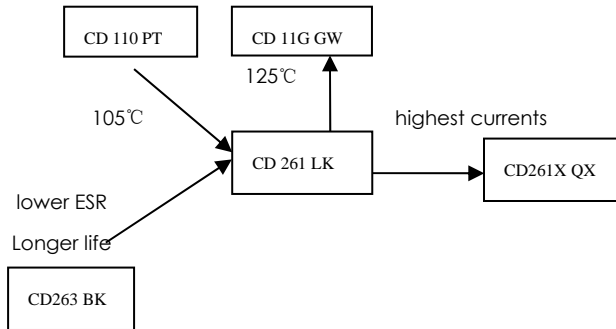


CD 261 LK Series



10000-12000h at 105°C

- High Reliability at High Voltage
- Power Supplies
- Electronic Lighting Ballast, LED Lighting
- General Industry

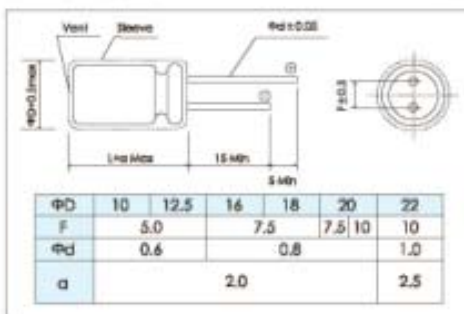


Items	Characteristics						
Operating Temperature Range(°C)	-40~+105						
Voltage Range(V)	160~450						
Capacitance Range(μF)	6.8~220						
Capacitance Tolerance(20°C, 120Hz)	±20%						
Leakage Current(μA)	After 1minute at 20°C application of rated voltage,leakage current is not more than 0.04CV+100.C: Nominal Capacitance (μF) V: Rated Voltage(V)						
Dissipation Factor (20°C, 120Hz)	Rated Voltage(V)	160	200	250	350	400	450
	Tan δ (max)	0.15			0.20		
Stability at Low Temperature(Impedance Ratio at 120Hz)	Rated Voltage(V)	160	200	250	350	400	450
	Z _{-25°C} / Z _{+20°C}	3		4	6		
	Z _{-40°C} / Z _{+20°C}	6			8		

	Useful Life		Load Life	Endurance Test	Shelf Life
Lifetime	φ 10=10 :12000h φ ≥12.5 :14000h	≥ 100000h	φ 10=10 :10000h φ ≥12.5 :12000h	φ 10=10 :10000h φ ≥12.5 :12000h	1000h
Leakage Current	Not more than specified value		Not more than specified value	Not more than specified value	Not more than specified value
Capacitance Change	Within ±50% of initial value		Within ±30% of initial value	Within ±20% of initial value	Within ±20% of initial value
Dissipation Factor	Not more than 500% of specified value		Not more than 300% of specified value	Not more than 200% of specified value	Not more than 200% of specified value
Condition: Applied Voltage Applied Current Applied Temperature	U _R I _R 105°C	U _R 1.4×I _R 60°C	U _R I _R 105°C	U _R I _R =0 105°C	After test: U _R to be applied for 30min>24h before measurement U _R =0 I _R =0 105°C

Dimensions

mm



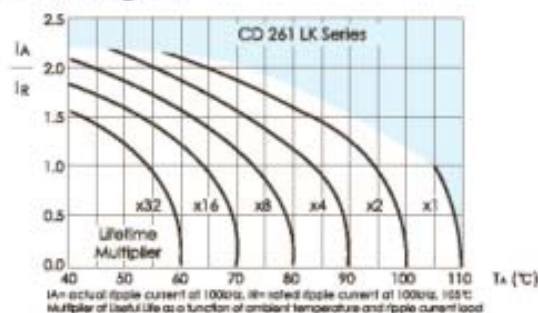
Temperature Coefficient

Ambient Temperature(°C)	+65	+85	+105
Coefficient	2.1	1.7	1.0

Frequency Coefficient

Coefficient	Frequency					
	120Hz	1kHz	10kHz	50kHz	100kHz	
6.8-82μF	1.00	1.50	2.10	2.50	2.50	
100-220μF	1.00	1.50	2.0	2.25	2.25	

Lifetime Diagram





Ratings for CD261 LK Series

U _R (Surge Voltage) Code	Rated Capacitance	Max ESR 20°C, 120Hz	Typ ESR 20°C, 120Hz	Rated Ripple Current 105°C, 100kHz	Size ΦD x L	P/N	
(v)	(μF)	(Ω)	(Ω)	(mA rms)	(mm)		
160 (200) 2C	10	19.9	7.3	250	10*16	ECR2CLK100M□□100016	
	22	9.0	3.3	500	10*20	ECR2CLK220M□□100020	
	33	6.0	2.2	500	10*20	ECR2CLK330M□□100020	
	47	4.2	1.6	660	12.5*20	ECR2CLK470M□□125020	
					10*30	ECR2CLK470M□□100030	
	68	2.9	1.1	760	12.5*25	ECR2CLK680M□□125025	
					10*35	ECR2CLK680M□□100035	
					16*20	ECR2CLK680M□□160020	
	100	2.0	0.7	1120	16*25.5	ECR2CLK101M□□160025	
					18*20.5	ECR2CLK101M□□180020	
					10*40	ECR2CLK101M□□100040	
					12.5*30	ECR2CLK101M□□125030	
	150	1.3	0.5	1360	16*31.5	ECR2CLK151M□□160031	
					18*25.5	ECR2CLK151M□□180025	
					12.5*40	ECR2CLK151M□□125040	
	220	0.9	0.3	1400	16*31.5	ECR2CLK221M□□160031	
					18*25.5	ECR2CLK221M□□180025	
					12.5*50	ECR2CLK221M□□125050	
	200 (250) 2D	10	19.9	7.3	250	10*16	ECR2DLK100M□□100016
		22	9.0	3.3	500	10*20	ECR2DLK220M□□100020
		33	6.0	2.2	600	10*20	ECR2DLK330M□□100020
		47	4.2	1.6	660	12.5*20	ECR2DLK470M□□125020
						10*30	ECR2DLK470M□□100030
		68	2.9	1.1	760	12.5*25	ECR2DLK680M□□125025
16*20						ECR2DLK680M□□160020	
10*40						ECR2DLK680M□□100040	
100		2.0	0.7	1120	16*25.5	ECR2DLK101M□□160025	
					18*20.5	ECR2DLK101M□□180020	
					10*45	ECR2DLK101M□□100045	
					12.5*36	ECR2DLK101M□□125036	
150		1.3	0.5	1360	16*31.5	ECR2DLK151M□□160031	
					18*25.5	ECR2DLK151M□□180025	
					12.5*45	ECR2DLK151M□□125045	
220		0.9	0.3	1700	18*31.5	ECR2DLK221M□□180031	
					16*40	ECR2DLK221M□□160040	
250 (300) 2E		10	19.9	7.3	280	10*20	ECR2ELK100M□□100020
		22	9.0	3.3	600	12.5*20	ECR2ELK220M□□125020
		33	6.0	2.2	600	12.5*20	ECR2ELK330M□□125020
		47	4.2	1.6	720	12.5*25	ECR2ELK470M□□125025
						16*20	ECR2ELK470M□□160020
						10*35	ECR2ELK470M□□100035
		68	2.9	1.1	920	16*25.5	ECR2ELK680M□□160025
	18*20.5					ECR2ELK680M□□180020	
	12.5*36					ECR2ELK680M□□125036	
	10*45					ECR2ELK680M□□100045	
	100	2.0	0.7	1200	16*31.5	ECR2ELK101M□□160031	
					18*25.5	ECR2ELK101M□□180025	
					12.5*45	ECR2ELK101M□□125045	
					16*40	ECR2ELK101M□□160040	
	150	1.3	0.5	1500	18*31.5	ECR2ELK151M□□180031	
	350 (400) 2V	6.8	39.0	10.7	220	10*16	ECR2VLK6R8M□□100016
		10	26.5	7.3	280	10*20	ECR2VLK100M□□100020
		22	12.1	3.3	350	12.5*20	ECR2VLK220M□□125020
		33	8.0	2.2	500	16*20	ECR2VLK330M□□160020
						10*35	ECR2VLK330M□□100035
						12.5*25	ECR2VLK330M□□125025
		47	5.6	1.6	660	16*25.5	ECR2VLK470M□□160025
						18*20.5	ECR2VLK470M□□180020
						10*45	ECR2VLK470M□□100045
12.5*36						ECR2VLK470M□□125036	
68		3.9	1.1	850	16*31.5	ECR2VLK680M□□160031	

U _R (Surge Voltage) Code	Rated Capacitance	Max ESR 20°C, 120Hz	Typ ESR 20°C, 120Hz	Rated Ripple Current 105°C, 100kHz	Size ΦD x L	P/N	
(v)	(μF)	(Ω)	(Ω)	(mA rms)	(mm)		
400 (450) 2G	6.8	39.0	10.7	220	10*16	ECR2GLK6R8M□□100016	
	10	26.5	7.3	280	10*20	ECR2GLK100M□□100020	
	22	12.1	3.3	430	12.5*25	ECR2GLK220M□□125025	
					16*20	ECR2GLK220M□□160020	
					10*35	ECR2GLK220M□□100035	
	33	8.0	2.2	640	16*25.5	ECR2GLK330M□□160025	
					18*20.5	ECR2GLK330M□□180020	
					10*45	ECR2GLK330M□□100045	
					12.5*36	ECR2GLK330M□□125036	
	47	5.6	1.6	840	16*31.5	ECR2GLK470M□□160031	
					12.5*40	ECR2GLK470M□□125040	
	68	3.9	1.1	1000	18*25.5	ECR2GLK680M□□180025	
					12.5*50	ECR2GLK680M□□125050	
	82	3.2	0.9	1100	18*31.5	ECR2GLK820M□□180031	
					12.5*61	ECR2GLK820M□□125061	
	100	2.7	0.7	1280	18*36	ECR2GLK101M□□180036	
	120	2.2	0.6	1480	18*40	ECR2GLK121M□□180040	
	150	1.8	0.5	1770	20*41	ECR2GLK151M□□200041	
	450 (500) 2W	6.8	39.0	12.9	150	10*20	ECR2WLK6R8M□□100020
		10	26.5	8.8	320	12.5*20	ECR2WLK100M□□125020
						10*30	ECR2WLK100M□□100030
		22	12.1	4.0	430	12.5*25	ECR2WLK220M□□125025
						16*25.5	ECR2WLK220M□□160025
						10*40	ECR2WLK220M□□100040
33		8.0	2.7	700	16*25.5	ECR2WLK330M□□160025	
					10*50	ECR2WLK330M□□100050	
47		5.6	1.9	880	16*31.5	ECR2WLK470M□□160031	
					12.5*45	ECR2WLK470M□□125045	
68		3.9	1.3	1130	18*31.5	ECR2WLK680M□□180031	
					12.5*50	ECR2WLK680M□□125050	
82		3.2	1.1	1160	18*36	ECR2WLK820M□□180036	
					12.5*61	ECR2WLK820M□□125061	
100		2.7	0.9	1360	18*40	ECR2WLK101M□□180040	
120		2.2	0.75	1560	18*46	ECR2WLK121M□□180046	
150		1.8	0.6	1880	22*41	ECR2WLK151M□□200041	

Customer products are available on request

CD 261 LK Series



		3.9	1.1	850	18*25.5	ECR2VLK680M□180025
		3.9	1.1	850	12.5*45	ECR2VLK680M□125045